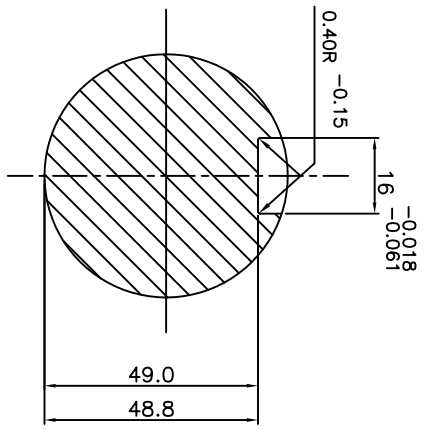
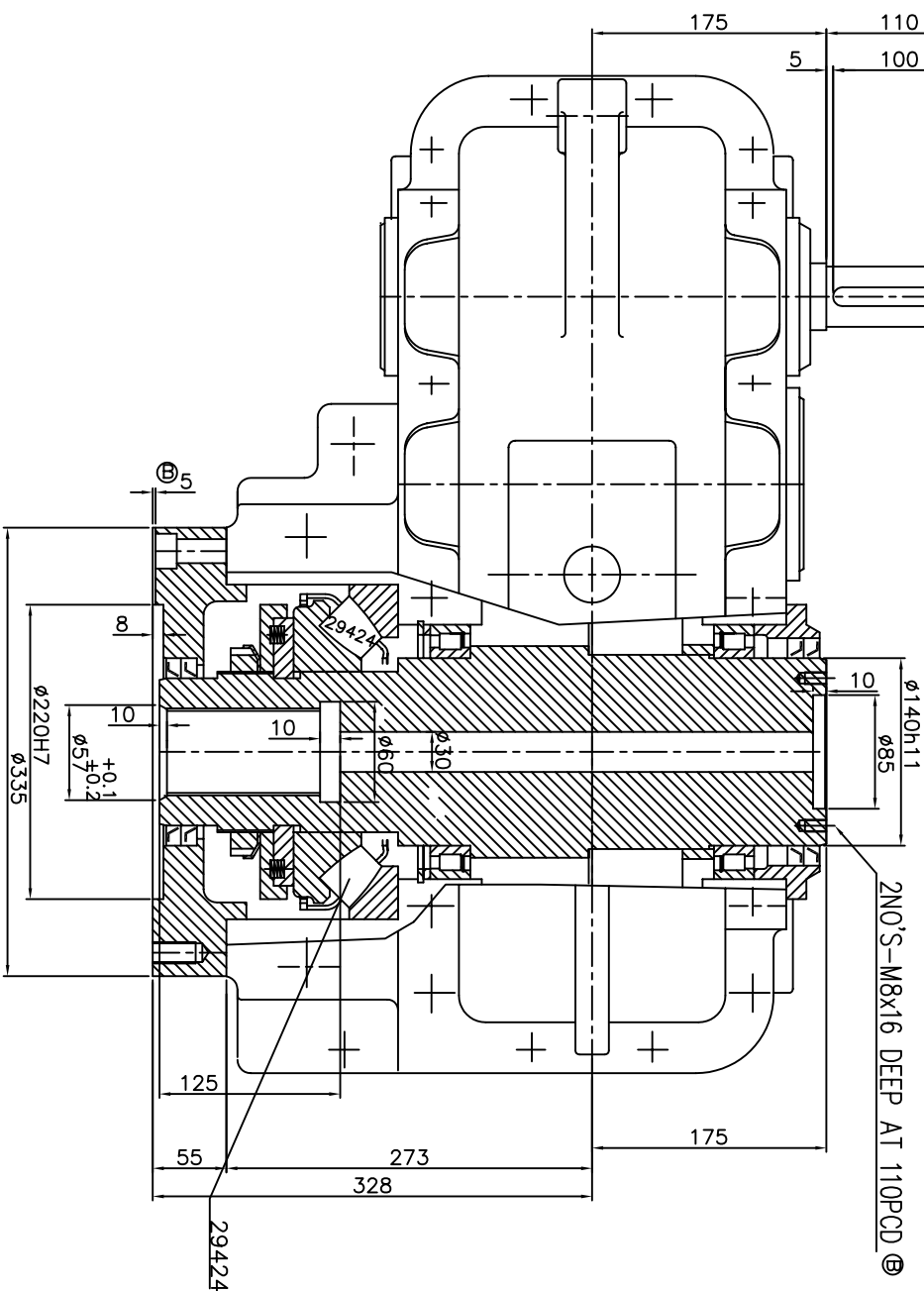
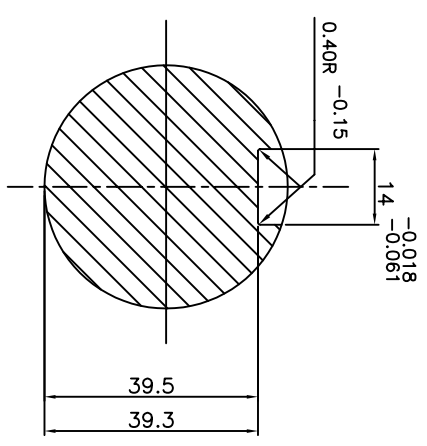


SPLINE DETAIL(OUTPUT)



KEYWAY DETAIL(INPUT)--R10:1



KEYWAY DETAIL(INPUT)--R14:1; 18:1

NOTE:

SHAFT ENDS WITH KEYS ACCORDING TO DIN 6885,PART-1,SHAPE-A.
 SHAFT CENTERING ACCORDING TO DIN -332 DS WITH THREADS.
 DIRECTION OF ROTATION OF OUTPUT SHAFT LOOKING TOWARDS ITS ENDS.
 DIMENSIONS CERTIFIED FOR CONSTRUCTION.

APPROX. TOTAL WEIGHT WITHOUT OIL: 325 KGS.
 REQUIRED APPROX. OIL QUANTITY PER GEAR BOX : 11 LTRS.
 LUBRICATING OIL: SERVOMESH SP 320 OR EQUI.
 TECHNICAL SPECIFICATION:
 ACTUAL RATIO : 10.274:1

RATIO	ACTUAL RATIO	INPUT DIA.	INPUT SHAFT EXT.LENG.
14:1	14.233:1	45	110
18:1	17.647:1	45	110

DRAWN		DATE		CHECKED		DATE		SCALE :		ORDER NO :	
290308		06/03/07		J. S. GONDAL		18/08/06		SBH-200/EXT. 29424 BEARING		DRG.NO : 703-00-8148	
DIMENSION ADDED AS PER CLIENT REQUIREMENT		DIMENSION MARKED AS ARE ADDED AS PER CLIENT REODAPPROVED		AMENDMENTS						ISSUE	
A		B		C		D		E		F	

THIS DRG. IS PROPERTY OF ELECON ENGG.CO.LTD., LOANED TO THE RECIPIENT WHO AGREES THAT IT SHOULD NOT BE GIVEN OUT COPIED OR DUPLICATED FOR THE USE OF OTHERS BUT ONLY USED BY THE RECIPIENT FOR THE PURPOSE OF MAINTAINING THE EQUIPMENT TO WHICH IT REFERS.

ELECON